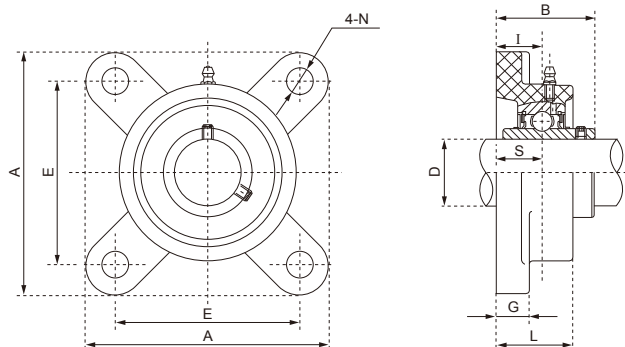
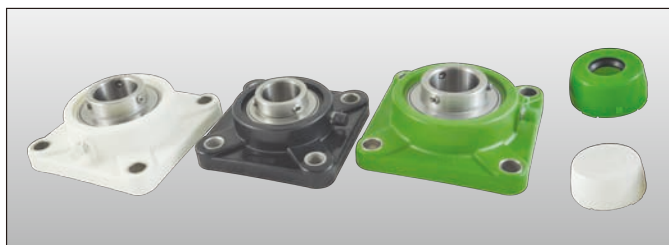


## Plastic Housing With Stainless Steel Bearing

### UCFPL UCFPL Series Plastic Housing With Stainless Steel Bearing



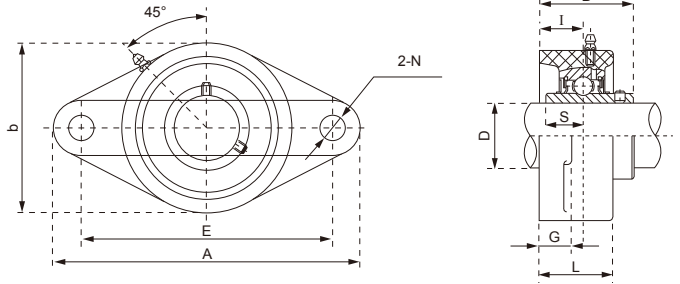
Bearing Unit No.	Bore Dia		A	E	G	N	L	I	S	B	Bearing No.	Housing No.	Housing Weight (kg)	Bull.fiss. Bolt Size
	D													
	in	mm												
UCFPL 201 UCFPL 201-8 UCFPL 202 UCFPL 202-10 UCFPL 203 UCFPL 203-11	1/2 5/8 11/16	12 15 17	86	63.5	13.4	11	27.8	18	12.7	31	SUC 201 SUC 201-8 SUC 202 SUC 202-10 SUC 203 SUC 203-11	FPL204	0.12	M10
UCFPL 204 UCFPL 204-12	3/4	20	53	63.5	13.4	11	27.8	18	12.7	31	SUC 204 SUC 204-12	FPL204	0.12	M10
UCFPL 205 UCFPL 205-14 UCFPL 205-15 UCFPL 205-16	7/8 15/16 1	25	95	70	14.5	11	28	17	14.3	34.1	SUC 205 SUC 205-14 SUC 205-15 SUC 205-16	FPL205	0.15	M10
UCFPL 206 UCFPL 206-17 UCFPL 206-18 UCFPL 206-19 UCFPL 206-20	1-1/16 1-1/8 1-3/16 1-1/4	30	107	83	14.5	11	31.5	19.2	15.9	38.1	SUC 206 SUC 206-17 SUC 206-18 SUC 206-19 SUC 206-20	FPL206	0.18	M10
UCFPL 207 UCFPL 207-20 UCFPL 207-21 UCFPL 207-22 UCFPL 207-23	1-1/4 1-5/16 1-3/8 1-7/16	35	117	92	16	13	34.8	21.5	17.5	42.9	SUC 207 SUC 207-20 SUC 207-21 SUC 207-22 SUC 207-23	FPL207	0.26	M12
UCFPL 208 UCFPL 208-24 UCFPL 208-25	1-1/2 1-9/16	40	129	102	17	14	36.5	23	19	49.2	SUC 208 SUC 208-24 SUC 208-25	FPL208	0.33	M12
UCFPL 209 UCFPL 209-26 UCFPL 209-27 UCFPL 209-28	1-5/8 1-11/16 1-3/4	45	137	105	19	17	41	24	19	49.2	SUC 209 SUC 209-26 SUC 209-27 SUC 209-28	FPL209	0.42	M16
UCFPL 210 UCFPL 210-29 UCFPL 210-30 UCFPL 210-31 UCFPL 210-32	1-13/16 1-7/8 1-15/16 2	50	143	111	20	17	42	25	19	51.6	SUC 210 SUC 210-29 SUC 210-30 SUC 210-31 SUC 210-32	FPL210	0.51	M16
UCFPL 211 UCFPL 211-32 UCFPL 211-33 UCFPL 211-34 UCFPL 211-35	2 2-1/16 2-1/8 2-3/16	55	162	130	19.5	19	43	25	22.2	55.6	SUC 211 SUC 211-32 SUC 211-33 SUC 211-34 SUC 211-35	FPL211	0.61	M18
UCFPL 212 UCFPL 212-36 UCFPL 212-37 UCFPL 212-38 UCFPL 212-39	2-1/4 2-5/16 2-3/8 2-7/16	60	175	143	19	19	48	29	25.4	65.1	SUC 212 SUC 212-36 SUC 212-37 SUC 212-38 SUC 212-39	FPL212	0.72	M18

BEARING UNITS

## Plastic Housing With Stainless Steel Bearing

### UCFLPL

#### UCFLPL Series Plastic Housing With Stainless Steel Bearing



Bearing Unit No.	Bore Dia		A	E	b	G	L	N	I	S	B	Bearing No.	Housing No.	Housing Weight (kg)	Bull.fiss. Bolt Size
	D														
	in	mm													
UCFLPL 201 UCFLPL 201-8 UCFLPL 202 UCFLPL 202-10 UCFLPL 203 UCFLPL 203-11	1/2 5/8 11/16	12 15 17	113	90	64	11.4	26.5	11	15.4	12.7	31	SUC 201 SUC 201-8 SUC 202 SUC 202-10 SUC 203 SUC 203-11	FLPL204	0.08	M10
UCFLPL 204 UCFLPL 204-12	3/4	20	113	90	64	11.4	26.5	11	15.4	12.7	31	SUC 204 SUC 204-12	FLPL204	0.08	M10
UCFLPL 205 UCFLPL 205-14 UCFLPL 205-15 UCFLPL 205-16	7/8 15/16 1	25	131	99	69.5	14	29.5	11	17	14.3	34.1	SUC 205 SUC 205-14 SUC 205-15 SUC 205-16	FLPL205	0.10	M10
UCFLPL 206 UCFLPL 206-17 UCFLPL 206-18 UCFLPL 206-19 UCFLPL 206-20	1-1/16 1-1/8 1-3/16 1-1/4	30	148	117	80	14	30.5	11	19	15.9	38.1	SUC 206 SUC 206-17 SUC 206-18 SUC 206-19 SUC 206-20	FLPL206	0.13	M10
UCFLPL 207 UCFLPL 207-20 UCFLPL 207-21 UCFLPL 207-22 UCFLPL 207-23	1-1/4 1-5/16 1-3/8 1-7/16	35	164	130	90	16	32.8	13	18	17.5	42.9	SUC 207 SUC 207-20 SUC 207-21 SUC 207-22 SUC 207-23	FLPL207	0.16	M12
UCFLPL 208 UCFLPL 208-24 UCFLPL 208-25	1-1/2 1-9/16	40	175	144	99	20	37.5	14	21.5	19	49.2	SUC 208 SUC 208-24 SUC 208-25	FLPL208	0.24	M12
UCFLPL 209 UCFLPL 209-26 UCFLPL 209-27 UCFLPL 209-28	1-5/8 1-11/16 1-3/4	45	188	148	108	21	41	17	24	19	49.2	SUC 209 SUC 209-26 SUC 209-27 SUC 209-28	FLPL209	0.32	M16
UCFLPL 210 UCFLPL 210-29 UCFLPL 210-30 UCFLPL 210-31 UCFLPL 210-32	1-13/16 1-7/8 1-15/16 2	50	197	157	115	21	42	17	25	19	51.6	SUC 210 SUC 210-29 SUC 210-30 SUC 210-31 SUC 210-32	FLPL210	0.42	M16
UCFLPL 211 UCFLPL 211-32 UCFLPL 211-33 UCFLPL 211-34 UCFLPL 211-35	2 2-1/16 2-1/8 2-3/16	55	224	184	128	18.5	43	19	25	22.2	55.6	SUC 211 SUC 211-32 SUC 211-33 SUC 211-34 SUC 211-35	FLPL211	0.55	M18
UCFLPL 212 UCFLPL 212-36 UCFLPL 212-37 UCFLPL 212-38 UCFLPL 212-39	2-1/4 2-5/16 2-3/8 2-7/16	60	250	202	139	24	48	19	29	25.4	65.1	SUC 212 SUC 212-36 SUC 212-37 SUC 212-38 SUC 212-39	FLPL212	0.70	M18